

IEC Lighting Contactor Specifications

Bulletin Number 100L

Topic	Page
Product Overview	2
Specifications	2
Wiring Diagrams	3
Approximate Dimensions	3

Additional Resources

These documents contain additional information concerning related products from Rockwell Automation.

Resource	Description
Industrial Automation Wiring and Grounding Guidelines, publication 1770-4.1	Provides general guidelines for installing a Rockwell Automation industrial system.
Product Certifications website, http://www.ab.com	Provides declarations of conformity, certificates, and other certification details.

You can view or download publications at <http://www.rockwellautomation.com/literature/>. To order paper copies of technical documentation, contact your local Allen-Bradley distributor or Rockwell Automation sales representative.



Product Overview



Bulletin No.	100L
Contactor Type	IEC
Features	Multi-pole Electrically held
Continuous Ampere Rating [A]	20
Single phase, 1 or 2 power poles	20 A 277V Max 15 A 347V Max
Three phase, 1 or 2 power poles	20 A 480Y/277V Max 15 A 600Y/347V Max
Enclosures (NEMA Type)	IP42 (Type 1) IP66 (Type 3/4/12)
Standards Compliance	UL 508 CSA C22.2, No. 14
Certifications	cULus Listed (File No. E14843, Guide No. NRNT, NRNT7)

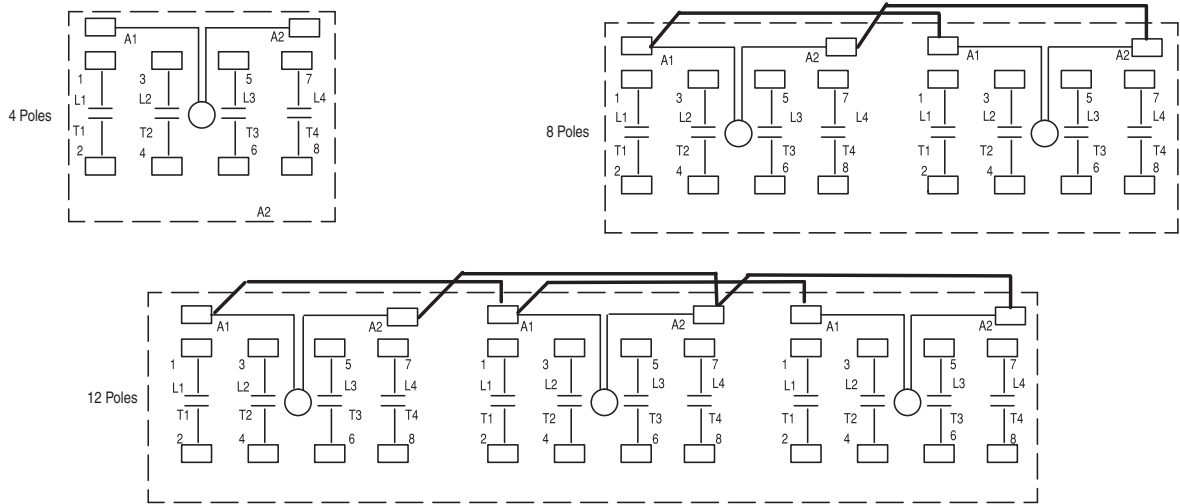
Specifications

Ratings

Type of Load	Max. Current [A]	Max. AC Volts, Poles to Load ⁽¹⁾	
		1 for 1-phase	3 for 3-phase
Tungsten	20	277	480Y/277V
	15	347	600Y/347V
Ballast	20	277	480Y/277V
	15	347	600Y/347V
General use resistance heating	30	600	600

(1) 20 A, 250V DC max. with 3 poles in series.

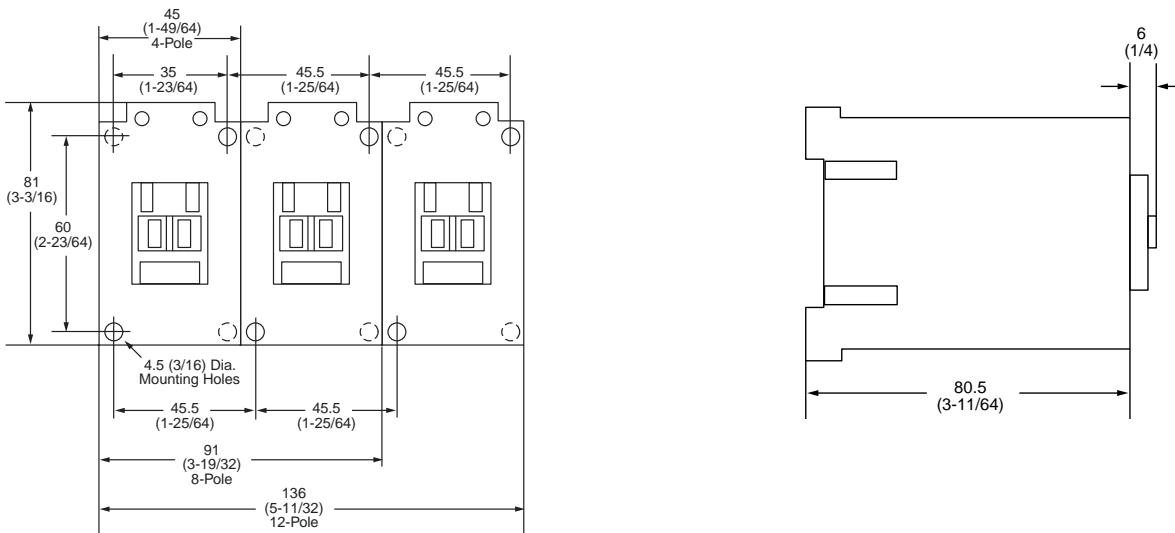
Wiring Diagrams



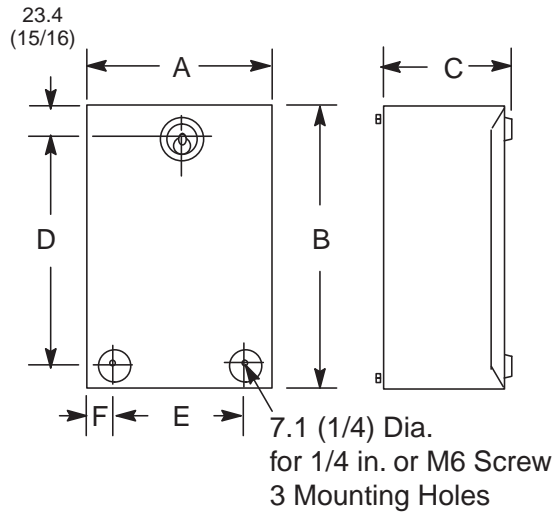
Approximate Dimensions

Dimensions are shown in millimeters (inches). Dimensions are not intended for manufacturing purposes.

Open Type

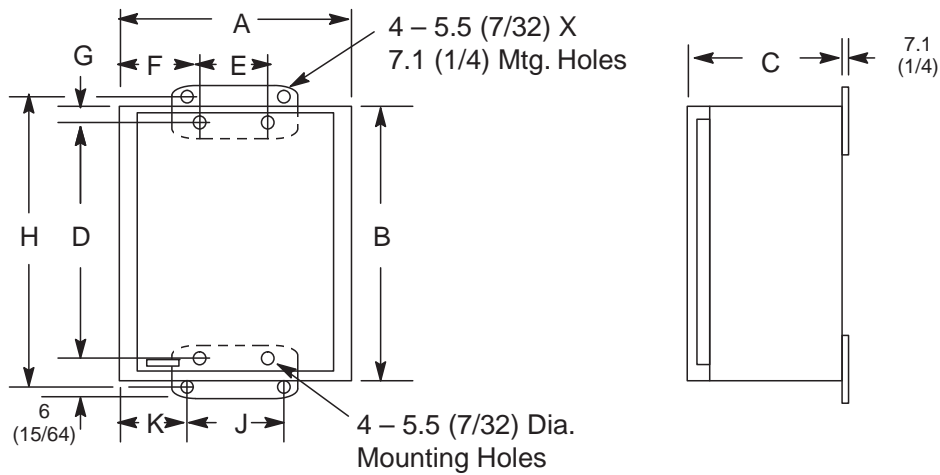


IP42 (Type 1)



Cat. No.	A Wide	B High	C Deep	D	E	F
100L-C20A⊗4	140 (5-1/2)	220 (8-21/32)	152 (5-31/32)	175 (6-7/8)	95 (3-3/4)	22.5 (7/8)
100L-C20A⊗8	235 (9-1/4)	220 (8-21/32)	152 (5-31/32)	175 (6-7/8)	190 (7-1/2)	22.5 (7/8)
100L-C20A⊗12	270 (10-5/8)	290 (11-7/16)	152 (5-31/32)	245 (9-21/32)	225 (8-7/8)	22.5 (7/8)

IP66 (Type 3/4/12)



Cat. No.	A Wide	B High	C Deep	D	E	F	G	H	J	K
100L-C20F⊗4	200 (7-7/8)	300 (11-13/16)	160 (6-5/16)	236 (9-9/32)	76 (3)	62 (2-7/8)	17.5 (11/16)	313 (12-5/16)	105 (4-1/8)	47.5 (1-7/8)
100L-C20F⊗8	250 (9-27/32)	250 (9-27/32)	160 (6-5/16)	186 (7-5/16)	76 (3)	87 (3-7/16)	17.5 (11/16)	263 (10-3/8)	105 (4-1/8)	72.5 (2-7/8)
100L-C20F⊗12	300 (11-13/16)	300 (11-13/16)	160 (6-5/16)	236 (9-9/32)	76 (3)	61 (2-13/32)	17.5 (11/16)	313 (12-5/16)	206 (8-1/8)	47 (1-27/32)

Notes:

Important User Information

Read this document and the documents listed in the additional resources section about installation, configuration, and operation of this equipment before you install, configure, operate, or maintain this product. Users are required to familiarize themselves with installation and wiring instructions in addition to requirements of all applicable codes, laws, and standards.

Activities including installation, adjustments, putting into service, use, assembly, disassembly, and maintenance are required to be carried out by suitably trained personnel in accordance with applicable code of practice.

If this equipment is used in a manner not specified by the manufacturer, the protection provided by the equipment may be impaired.

In no event will Rockwell Automation, Inc. be responsible or liable for indirect or consequential damages resulting from the use or application of this equipment.

The examples and diagrams in this manual are included solely for illustrative purposes. Because of the many variables and requirements associated with any particular installation, Rockwell Automation, Inc. cannot assume responsibility or liability for actual use based on the examples and diagrams.

No patent liability is assumed by Rockwell Automation, Inc. with respect to use of information, circuits, equipment, or software described in this manual.

Reproduction of the contents of this manual, in whole or in part, without written permission of Rockwell Automation, Inc., is prohibited.

Documentation Feedback

Your comments will help us serve your documentation needs better. If you have any suggestions on how to improve this document, complete this form, publication [RA-DU002](#), available at <http://www.rockwellautomation.com/literature/>.

Allen-Bradley, Rockwell Software, Rockwell Automation, and LISTEN. THINK. SOLVE are trademarks of Rockwell Automation, Inc.
Trademarks not belonging to Rockwell Automation are property of their respective companies.

Rockwell Otomasyon Ticaret A.Ş., Kar Plaza İş Merkezi E Blok Kat:6 34752 İçerenköy, İstanbul, Tel: +90 (216) 5698400

www.rockwellautomation.com

Power, Control and Information Solutions Headquarters

Americas: Rockwell Automation, 1201 South Second Street, Milwaukee, WI 53204-2496 USA, Tel: (1) 414.382.2000, Fax: (1) 414.382.4444
Europe/Middle East/Africa: Rockwell Automation NV, Pegasus Park, De Kleetlaan 12a, 1831 Diegem, Belgium, Tel: (32) 2 663 0600, Fax: (32) 2 663 0640
Asia Pacific: Rockwell Automation, Level 14, Core F, Cyberport 3, 100 Cyberport Road, Hong Kong, Tel: (852) 2887 4788, Fax: (852) 2508 1846

Publication 100-TD014B-EN-P - April 2015

Supersedes publication 100-TD014A-EN-P - August 2014

Copyright © 2015 Rockwell Automation, Inc. All rights reserved. Printed in the U.S.A.