

2000 SERIES

1/2" CONDUIT MOUNTING
FIXED POSITION, LEXAN® HOUSING
WITH WEATHERPROOF SEALANT
PHOTOCONTROL



APPLICATIONS



- Flood lamp
- Patio lamp
- Decorative lighting

FEATURES

OPERATION: Delay up to two minutes to prevent false switching due to light from passing vehicles, lightning, etc.

HOUSING: All Lexan® enclosures are impact and vandal resistant. Translucent Lexan® Dome prolongs cell life by further screening out ultraviolet rays. Dome and base are ultrasonically welded for maximum strength.

ENERGY SAVINGS: Works with screw base CFLs and LED lamps.

ORDERING INFO

CATALOG NO.	UPC CODE	VOLTAGE 50-60Hz
2000	60017	120
2000-2	60018	208-277
2000-7*	62023	120/277
73866	62020	Mounting Bracket

*Model 2000-7 has a cadmium sulphide, 1" epoxy cell. Also UL listed and CSA certified.

SPECIFICATIONS

ON/OFF: Turn ON is 1 to 5fc. Turn OFF is 3 to 15fc, without the slide in position. ON/OFF adjustment is easily made by moving a slide cover. No tools required.

TIME DELAY: ON and OFF.

CELL: Cadmium sulphide, epoxy-coated, 1/2" diameter.

CONTACTS: Remain closed between dusk and dawn. (The unit fails in the ON position).

LEAD WIRES: Three color coded, minimum 6" wire leads, #16AWG, rated for 105°C.

POWER CONSUMPTION: Averages under 1 watt.

TEMPERATURE RANGE: -40° to +140°F (-40° to +60°C).

FAIL MODE: ON.

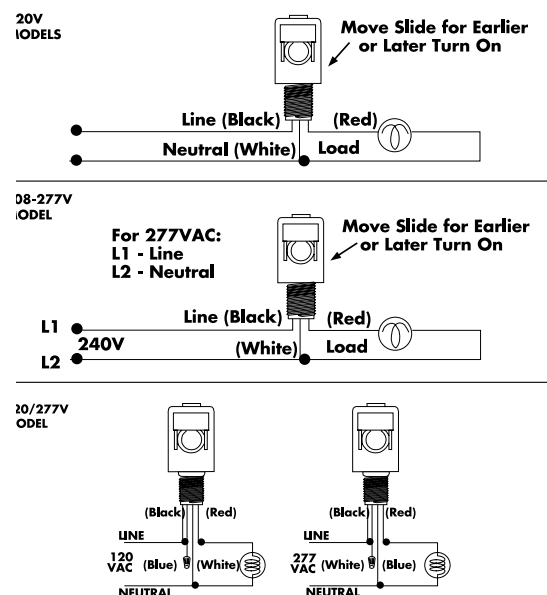
WARRANTY: 5 years.

CONTACT RATINGS

CATALOG NO.	SWITCH	RATING	
		TUNGSTEN	BALLAST
2000	SPST	2000W	1800VA
2000-2	SPST	3470-4620W	2080-2770VA
2000-7*	SPST	2000W	1800VA

WIRING DIAGRAMS

2000 SERIES



2001 SERIES

1/2" CONDUIT MOUNTING
180° SWIVEL, LEXAN® HOUSING
PHOTOCONTROL



APPLICATIONS



- Flood lamp
- Patio lamp
- Decorative lighting

FEATURES

OPERATION: Delay up to two minutes to prevent false switching due to light from passing vehicles, lightning, etc.

HOUSING: All Lexan® enclosures are impact and vandal resistant. Translucent Lexan® Dome prolongs cell life by further screening out ultraviolet rays. Dome and base are ultrasonically welded for maximum strength.

ENERGY SAVINGS: Works with screw base CFLs and LED lamps.

ORDERING INFO

CATALOG NO.	UPC CODE	VOLTAGE 50-60Hz
2001	60015	120
2002	60016	208-277
73866	62020	Mounting Bracket

SPECIFICATIONS

ON/OFF: Turn ON is 1 to 5fc. Turn OFF is 3 to 15fc, without the slide in position. ON/OFF adjustment is easily made by moving a slide cover. No tools required.

TIME DELAY: ON and OFF.

CELL: Cadmium sulphide, epoxy-coated, 1/2" diameter.

CONTACTS: Remain closed between dusk and dawn. (The unit fails in the ON position).

LEAD WIRES: Three color coded, minimum 6" wire leads, #16AWG, rated for 105°C.

POWER CONSUMPTION: Averages under 1 watt.

TEMPERATURE RANGE: -40° to +140°F (-40° to +60°C).

FAIL MODE: ON.

WARRANTY: 5 years.

CONTACT RATINGS

CATALOG NO.	SWITCH	RATING	
		TUNGSTEN	BALLAST
2001	SPST	2000W	1800VA
2002	SPST	3470-4620W	2080-2770VA

WIRING DIAGRAMS

