

# Stainless Steel Continuous Hinge Type 4X CHNFSS Junction Boxes



## Application

Provides unmatched protection for housing electrical components in highly corrosive environments. This enclosure is used in indoor and outdoor settings that are frequently wet or have constant exposure to water, other liquids, or contaminants.

## Construction

- 16 or 14 gauge Type 304 or 316L stainless steel
- Seams continuously welded and ground smooth; no holes or knockouts
- Seamless foam-in-place gasket assures watertight and dusttight seal
- Stainless steel screws and clamps assure watertight seal
- Door removed by pulling stainless steel continuous hinge pin
- Weldnuts provided for mounting optional panels and terminal block kits
- Bonding provision on door and body

## Finish

Enclosures are unpainted. Cover and sides of body have smooth #4 brushed finish. Optional mild steel panels are painted white. Optional conductive panels are available.

## Industry Standards

UL 50, File No. E27567: Type 3R, 4, 4X, and 12 (see Table)  
 UL 508A, File No. E61997: Type 3R, 4, 4X and 12 (see Table)  
 NEMA/EEMAC Type 3R, 4, 4X, 12, and 13  
 JIC standard EGP-I-1967  
 CSA File No. 42184: Type 4, 4X, and 12  
 IEC 60529, IP66  
 Meets Type 3RX requirements

## Accessories

Corrosion Inhibitors  
 Fast Operating Junction Box Clamp  
 Lock Kit  
 Panels  
 Swing-Out Panel Kit  
 Terminal Block Kit Assembly  
 Window Kit

## Modification Services Program

You can customize this product to your unique requirements by specifying from these options:

- Enclosure height, width, depth
- Holes and cutouts in body, doors, subpanels
- Tapped holes in subpanels
- Fasteners, mounting channel in enclosure and subpanel
- Mounting (adds and deletes)
- Doors
- Subpanels
- Windows
- Standard accessories

To order, contact your local Hoffman sales representative.

*NOTE: For information about modifications outside the scope of the Modification Services program, contact your Hoffman sales representative.*

## Standard Sizes Stainless Steel Continuous Hinge Type 4X CHNFSS Junction Boxes

Catalog Number	A x B x C in. (mm)	Type	Body Ga.	Cover Ga.	Steel Panel Catalog Number <sup>c</sup>	Conductive Panel Catalog Number <sup>c</sup>	Panel Size D x E in. (mm)	Mounting G x H in. (mm)	Overall L x W in. (mm)	F in. (mm)	J in. (mm)	N in. (mm)	T in. (mm)	V in. (mm)	Y in. (mm)
A6044CHNFSS <sup>a</sup>	6.00 x 4.00 x 4.00 (152 x 102 x 102)	304	16	16	A6P4	A6P4G	4.88 x 2.88 (124 x 73)	6.75 x 2.00 (171 x 51)	7.50 x 4.94 (191 x 125)	3.50 (89)	3.62 (92)	2.38 (60)	3.00 (76)	0.31 (8)	0.56 (14)
A6044CHNFSS6 <sup>a</sup>	6.00 x 4.00 x 4.00 (152 x 102 x 102)	316L	16	16	A6P4	A6P4G	4.88 x 2.88 (124 x 73)	6.75 x 2.00 (171 x 51)	7.50 x 4.94 (191 x 125)	3.50 (89)	3.62 (92)	2.38 (60)	3.00 (76)	0.3 (8)	0.56 (14)
A606CHNFSS <sup>b</sup>	6.00 x 6.00 x 4.00 (152 x 152 x 102)	304	16	16	A6P6	A6P6G	4.88 x 4.88 (124 x 124)	6.75 x 4.00 (171 x 102)	7.50 x 6.94 (191 x 176)	3.50 (89)	3.62 (92)	2.38 (60)	5.00 (127)	0.31 (8)	0.56 (14)
A606CHNFSS6 <sup>b</sup>	6.00 x 6.00 x 4.00 (152 x 152 x 102)	316L	16	16	A6P6	A6P6G	4.88 x 4.88 (124 x 124)	6.75 x 4.00 (171 x 102)	7.50 x 6.94 (191 x 176)	3.50 (89)	3.62 (92)	2.38 (60)	5.00 (127)	0.31 (8)	0.56 (14)
A8064CHNFSS <sup>b</sup>	8.00 x 6.00 x 4.00 (203 x 152 x 102)	304	14	16	A8P6	A8P6G	6.75 x 4.88 (171 x 124)	8.75 x 4.00 (222 x 102)	9.50 x 6.94 (241 x 176)	3.50 (89)	3.62 (92)	1.38 (35)	5.00 (127)	0.25 (6)	0.62 (16)
A8064CHNFSS6 <sup>b</sup>	8.00 x 6.00 x 4.00 (203 x 152 x 102)	316L	14	16	A8P6	A8P6G	6.75 x 4.88 (171 x 124)	8.75 x 4.00 (222 x 102)	9.50 x 6.94 (241 x 176)	3.50 (89)	3.62 (92)	1.38 (35)	5.00 (127)	0.25 (6)	0.62 (16)
A1008CHNFSS <sup>b</sup>	10.00 x 8.00 x 4.00 (254 x 203 x 102)	304	14	16	A10P8	A10P8G	8.75 x 6.88 (222 x 175)	10.75 x 6.00 (273 x 152)	11.50 x 8.94 (292 x 227)	3.50 (89)	3.62 (92)	1.38 (35)	7.00 (178)	0.25 (6)	0.62 (16)
A1008CHNFSS6 <sup>b</sup>	10.00 x 8.00 x 4.00 (254 x 203 x 102)	316L	14	16	A10P8	A10P8G	8.75 x 6.88 (222 x 175)	10.75 x 6.00 (273 x 152)	11.50 x 8.94 (292 x 227)	3.50 (89)	3.62 (92)	1.38 (35)	7.00 (178)	0.25 (6)	0.62 (16)
A12106CHNFSS <sup>b</sup>	12.00 x 10.00 x 6.00 (305 x 254 x 152)	304	14	16	A12P10	A12P10G	10.75 x 8.88 (273 x 225)	12.75 x 8.00 (324 x 203)	13.50 x 10.94 (343 x 278)	5.50 (140)	5.62 (143)	2.38 (60)	9.00 (229)	0.25 (6)	0.62 (16)
A12106CHNFSS6 <sup>b</sup>	12.00 x 10.00 x 6.00 (305 x 254 x 152)	316L	14	16	A12P10	A12P10G	10.75 x 8.88 (273 x 225)	12.75 x 8.00 (324 x 203)	13.50 x 10.94 (343 x 278)	5.50 (140)	5.62 (143)	2.38 (60)	9.00 (229)	0.25 (6)	0.62 (16)
A1212CHNFSS <sup>b</sup>	12.00 x 12.00 x 6.00 (305 x 305 x 152)	304	14	16	A12P12	A12P12G	10.75 x 10.88 (273 x 276)	12.75 x 10.00 (324 x 254)	13.50 x 12.94 (343 x 329)	5.50 (140)	5.62 (143)	2.38 (60)	11.00 (279)	0.25 (6)	0.62 (16)
A1212CHNFSS6 <sup>b</sup>	12.00 x 12.00 x 6.00 (305 x 305 x 152)	316L	14	16	A12P12	A12P12G	10.75 x 10.88 (273 x 276)	12.75 x 10.00 (324 x 254)	13.50 x 12.94 (343 x 329)	5.50 (140)	5.62 (143)	2.38 (60)	11.00 (279)	0.25 (6)	0.62 (16)

# Stainless Steel Continuous Hinge Type 4X CHNFSS Junction Boxes

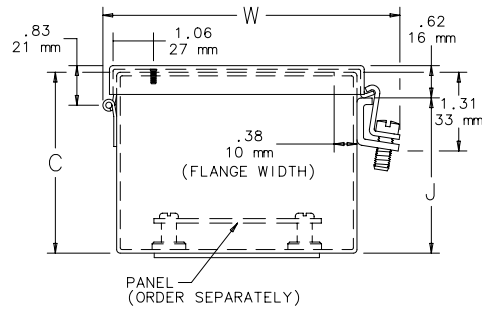
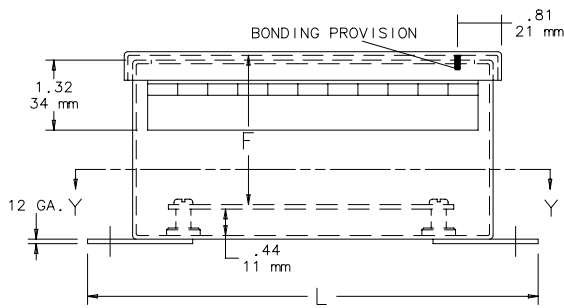
## Standard Sizes Stainless Steel Continuous Hinge Type 4X CHNFSS Junction Boxes (Cont.)

Catalog Number	A x B x C in. (mm)	Type	Body Ga.	Cover Ga.	Steel Panel Catalog Number <sup>c</sup>	Conductive Panel Catalog Number <sup>c</sup>	Panel Size D x E in. (mm)	Mounting G x H in. (mm)	Overall L x W in. (mm)	F in. (mm)	J in. (mm)	N in. (mm)	T in. (mm)	V in. (mm)	Y in. (mm)
A1412CHNFSS <sup>b</sup>	14.00 x 12.00 x 6.00 (356 x 305 x 152)	304	14	16	A14P12	A14P12G	12.75 x 10.88 (324 x 276)	14.75 x 10.00 (375 x 254)	15.50 x 12.94 (394 x 329)	5.50 (140)	5.62 (143)	2.38 (60)	11.00 (279)	0.25 (6)	0.62 (16)
A1412CHNFSS6 <sup>b</sup>	14.00 x 12.00 x 6.00 (356 x 305 x 152)	316L	14	16	A14P12	A14P12G	12.75 x 10.88 (324 x 276)	14.75 x 10.00 (375 x 254)	15.50 x 12.94 (394 x 329)	5.50 (140)	5.62 (143)	2.38 (60)	11.00 (279)	0.25 (6)	0.62 (16)
A1614CHNFSS <sup>b</sup>	16.00 x 14.00 x 6.00 (406 x 356 x 152)	304	14	16	A16P14	A16P14G	14.75 x 12.88 (375 x 327)	16.75 x 12.00 (425 x 305)	17.50 x 14.94 (445 x 379)	5.50 (140)	5.62 (143)	2.38 (60)	13.00 (330)	0.25 (6)	0.62 (16)
A1614CHNFSS6 <sup>b</sup>	16.00 x 14.00 x 6.00 (406 x 356 x 152)	316L	14	16	A16P14	A16P14G	14.75 x 12.88 (375 x 327)	16.75 x 12.00 (425 x 305)	17.50 x 14.94 (445 x 379)	5.50 (140)	5.62 (143)	2.38 (60)	13.00 (330)	0.25 (6)	0.62 (16)

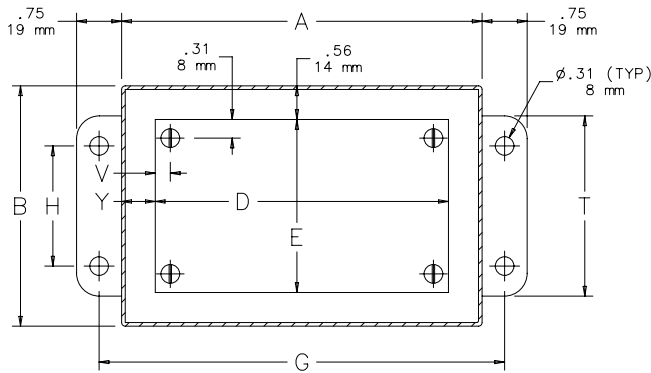
<sup>a</sup> UL 508A

<sup>b</sup> UL 50

<sup>c</sup> Purchase panels separately. Optional stainless steel, composite, and aluminum panels are available for most sizes.

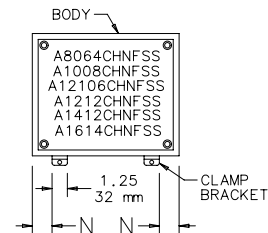
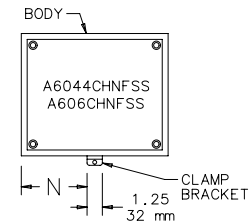


- NOTE:
- Optional panels are 14 gauge steel, conductive steel, or stainless steel.
  - Panel screws are #10-32 pan head.



SECTION Y-Y

Clamp Bracket Locations



C2540-C